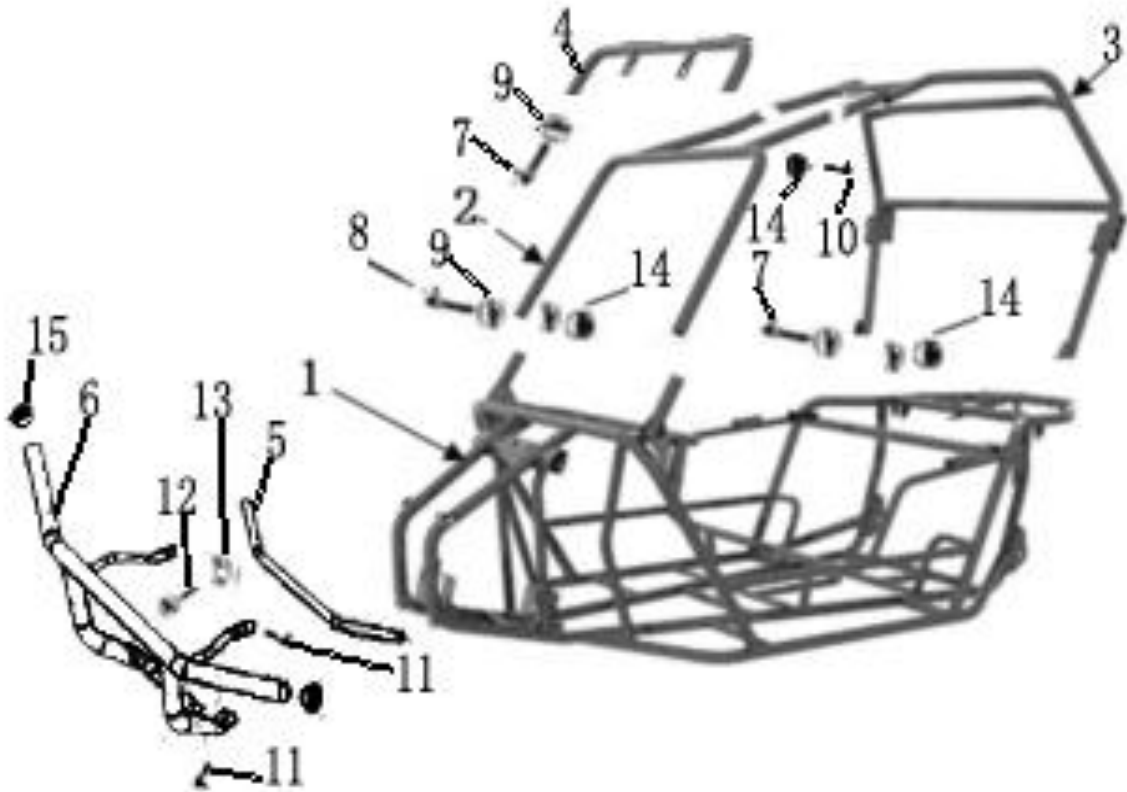




**TRAILMASTER UTV
CHALLENGER 300-X PARTS MANUAL
(ENGINE/TRANSMISSION NOT
INCLUDED)**

2017-09-11 VERSION 1.0

FIG.1 FRAME PARTS



FRAME PARTS			
REF NO.	PART NO.	DESCRIPTION	QTY
1-1	57100-300UC	FRAME COMP.(R.S.B)	1
1-2	19-0801020	TOP ROLL BAR.FR	1
1-3	19-0801030	TOP ROLL BAR.RR	1
1-4	58100-300UB	DOME LIGHT STENTS	1
1-5	58010-150U	FRONT FENDER BRACKET	1
1-6	58200-150U	PROTECTING BAR	1
1-7	57870805512505	BOLT M8X55 ,GB5787	4
1-8	57870806012505	BOLT M8X60 ,GB5787	2
1-9	8010047250G00	R- WASHER	12
1-10	57870803012505	BOLT M8X30 ,GB5787	4
1-11	57870801612505	BOLT M8X16 ,GB5787	4
1-12	57890601610005	BOLT M6X16 ,GB5789	2
1-13	96000600000005	WASHER φ6,GB96	2
1-14	61870800012505	LOCKING NUT M8,GB6187	10
1-15	65102-150U	PROTECTING BAR CAP	2

FIG.2 ACCESSORIES



ACCESSORIES			
REF NO.	PART NO.	DESCRIPTION	QTY
2-1	6000084250G000	CENTER REAR-VIEW MIRROR	1
2-2	8005000250G000-L	SIDE REAR VIEW MIRROR L	1
2-2	8005000250G000-R	SIDE REAR VIEW MIRROR R	1
2-3	80051-150U	AWNING	1
2-4	80052-150U	SIDE NET DOOR	2
2-5	80053-150U	WINDSHIELD	1
2-6	8010086250G400	CENTER REAR-VIEW MIRROR MOUNT	1
2-7	9040003250G000	CENTER REAR-VIEW MIRROR O-RING	1
2-8	93000500000005	LOCK WASHER $\phi 5$,GB93	1
2-9	81800503010005	BOLT M5X25 ,GB818	1
2-10	80080-150U	WINDSHIELD MOUNTING PLATE, 2	4
2-11	80081-150U	WINDSHIELD MOUNTING PLATE	10
2-12	80082-150U	WINDSHIELD RUBBER MAT	4
2-13	57870801612505	BOLT M8X16 ,GB5787	4
2-14	57870803012505	BOLT M8X30 ,GB5787	4
2-15	57890603010005	BOLT M6X30 ,GB5789	2
2-16	7020005250G000	250 FUEL TANK RUBBER MOUNT	6
2-17	5800400300K000	FUEL TANK COLLAR	6
2-18	61870800012505	LOCKING NUT M8,GB6187	8
2-19	61870600010005	LOCKING NUT M6,GB6187	2
2-20	80054-150UB	LED DOME LIGHT BAR	1
2-21	80055-150U	DOME LIGHT WIRE	1

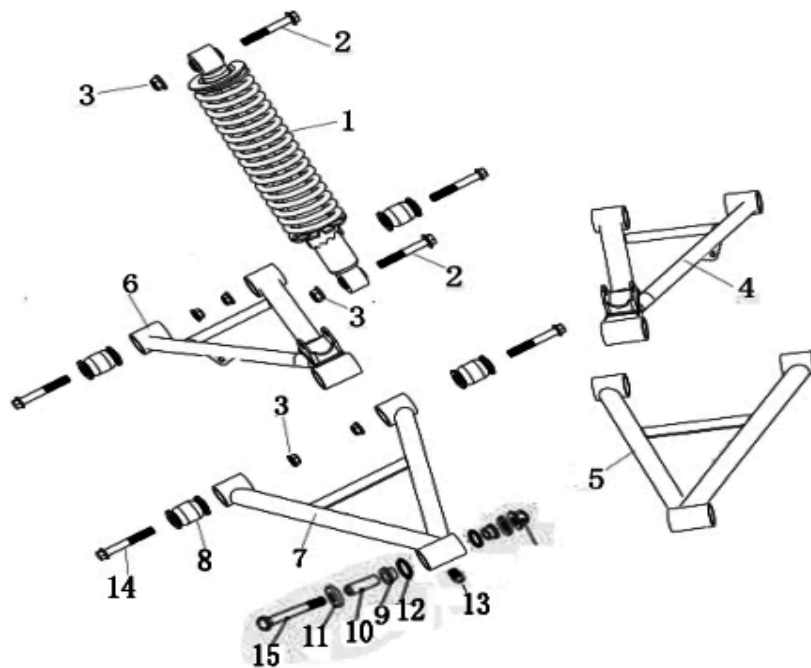
2-22	548001-300UB	MIRROR MOUNTING PLATE, R	1
2-23	548002-300UB	MIRROR MOUNTING PLATE, L	1
2-24	57870802012505	BOLT M8X20 ,GB5787	4
2-25	81800603010005	BOLT M6X30 ,GB5787	4
2-26	57019-300UB	REAR VIEW MIRROR SPRING	4

FIG.3 SEAT AND SEAT BELT



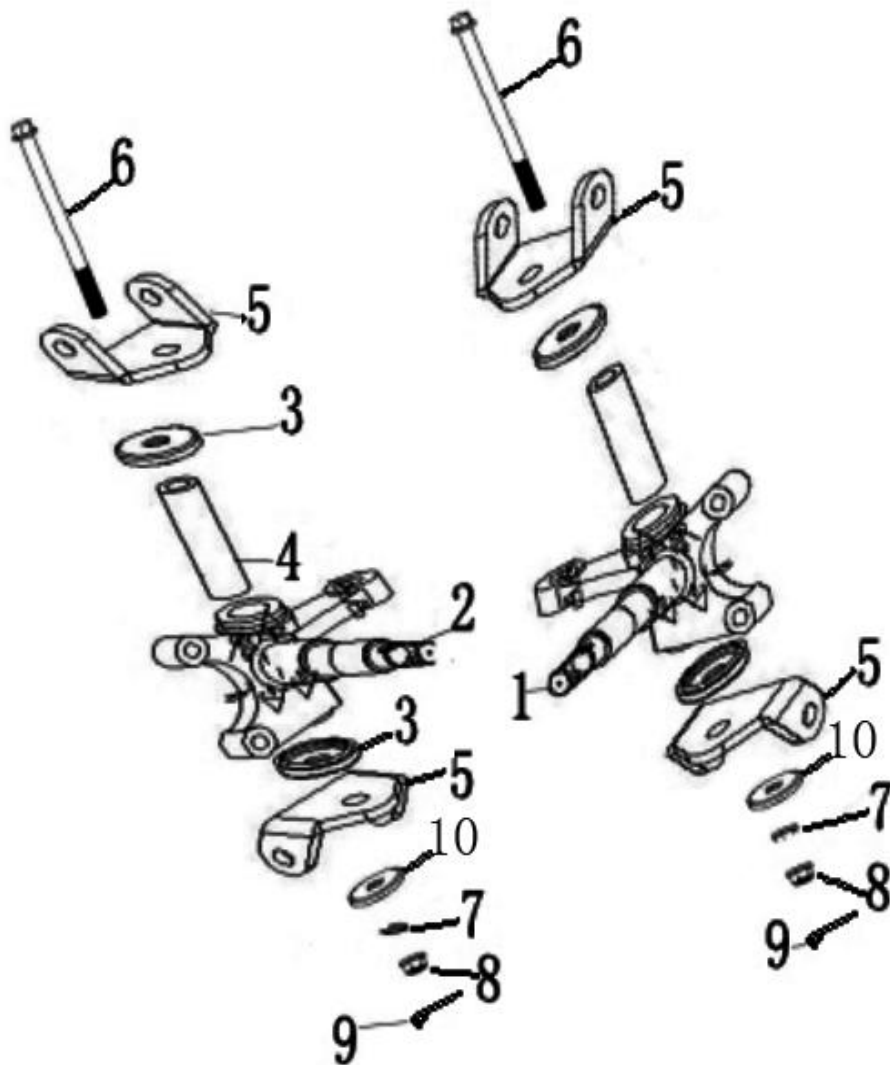
SEAT AND SEAT BELT			
REF NO.	PART NO.	DESCRIPTION	QTY
3-1	51110-150UB	DRIVER SEAT COMP	1
3-2	51120-150UB	PASSENGER SEAT COMP	1
3-3	51001-150U	DRIVER SEAT SLIDER	1
3-4	9.700.001	SAFETY BELT SPECIAL BOLT	4
3-5	19-0800401	SAFETY BELT	2
3-6	57870801612505	BOLT M8X16 ,GB5787	4
3-7	37000802012505	BOLT M8X16 ,GB37	4
3-8	61870800012505	LOCKING NUT M8,GB6187	6

FIG. 4 FRONT SUSPENSION AND FRONT SHOCK



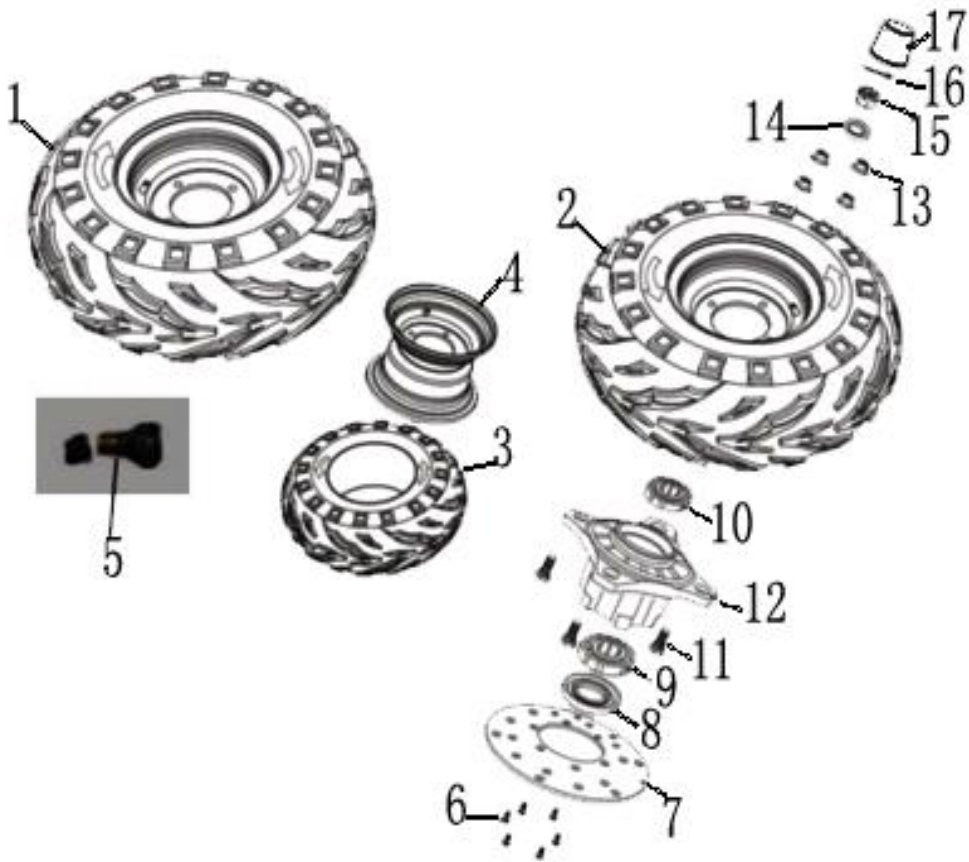
FRONT SUSPENSION AND FRONT SHOCK			
REF NO.	PART NO.	DESCRIPTION	QTY
4-1	43100-300U	CUSHION ASSY.,FR (L=430)	2
4-2	57891004012505	BOLT M10X1.25X40 ,GB5789	4
4-3	61871000012505	LOCKING NUT M10X1.25,GB6187	16
4-4	58730-150U-01	FRONT UPPER SUSPENSION ARM ASSY.L. (430 CUSHION)	1
4-5	58710-150U-01	FRONT LOWER SUSPENSION ARM ASSY.L	1
4-6	58760-150U-01	FRONT UPPER SUSPENSION ARM ASSY.R. (430 CUSHION)	1
4-7	58750-150U-01	FRONT LOWER SUSPENSION ARM ASSY.R	1
4-8	58720N	SUSPENSION ARM CUSHION BUSH	8
4-9	7010002250G000	SUSPENSION ARM BUSH	8
4-10	58701-150U	FRONT SUSPENSION ARM COLLAR	4
4-11	8020034250G100	LOWER SUSPENSION ARM DUSH CAP	8
4-12	9.040.001	O-RING ϕ 21.2*2.65	8
4-13	54006400N000	GREASE NIPPLE	4
4-14	57891007012505	BOLT M10X1.25X70 ,GB5789	8
4-15	57891008012505	BOLT M10X1.25X80 ,GB5789	4

FIG.5 FRONT WHEEL SHAFT



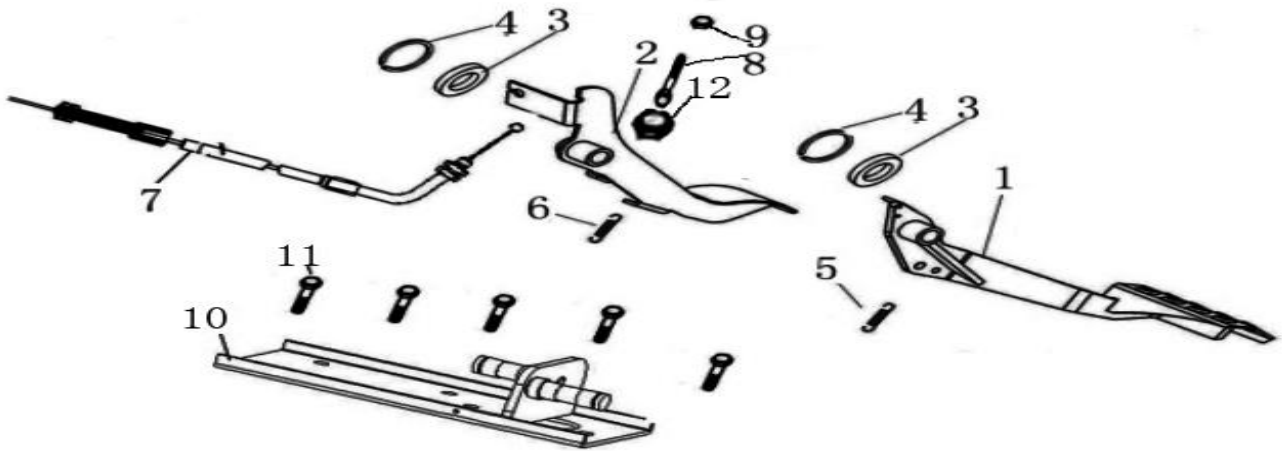
FRONT WHEEL SHAFT			
REF NO.	PART NO.	DESCRIPTION	QTY
5-1	44210-150U	FIXER FR.LH.HUB	1
5-2	44220-150U	FIXER FR.RH.HUB	1
5-3	54300N	REAR SUSPENSION ARM DUST CAP	4
5-4	54004N	REAR SUSPENSION ARM BUSH	2
5-5	44001-150U	FRONT SUSPENSION ARM FIXER PLATE, LOWER	2
5-6	57891011512505	BOLT M10X1.25X115 ,GB5789	2
5-7	93001000000005	LOCK WASHER φ10 ,GB93	2
5-8	61871000012505	LOCKING NUT M10X1.25,GB6187	2
5-9	GB912502500002	COTTER PIN φ2.5×25,GB91	2
5-10	9600100000000	WASHER φ10 ,GB96	2

FIG.6 FRONT WHEEL SYSTEM



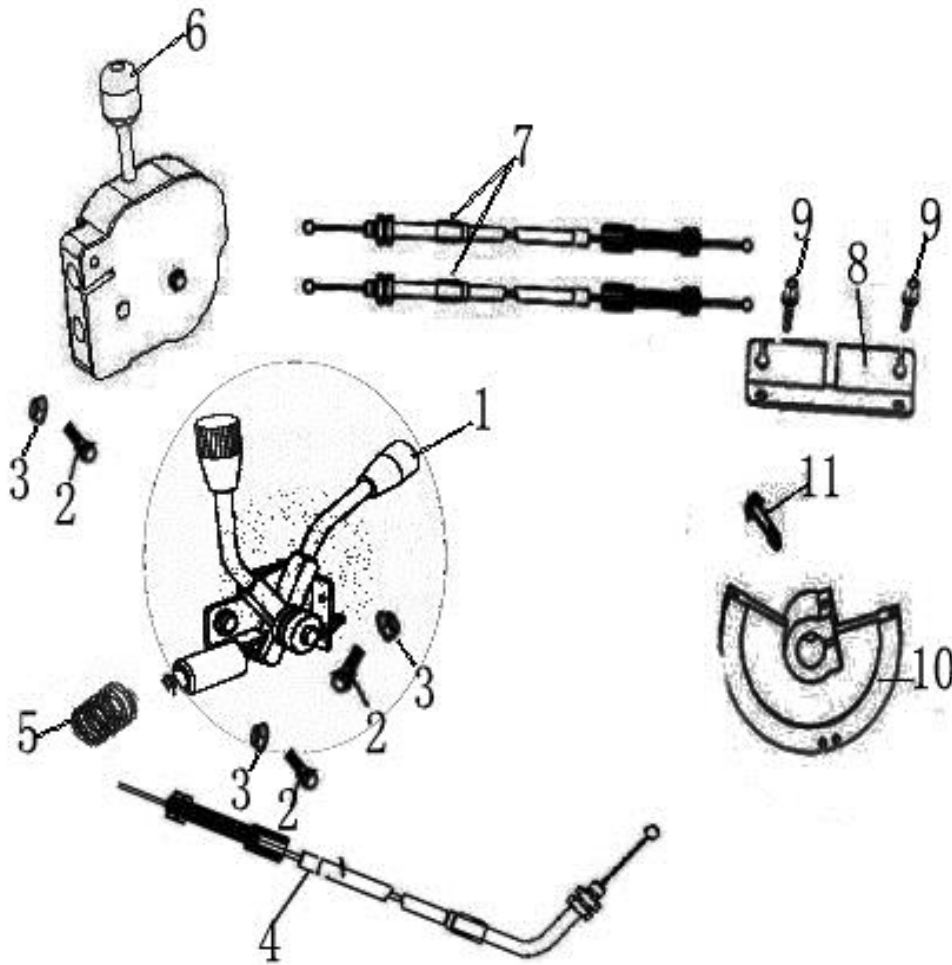
FRONT WHEEL SYSTEM			
REF NO.	PART NO.	DESCRIPTION	QTY
6-1	4410000150U002	FR.WHEEL ASSY.L. 22*7-10 (AL)	1
6-2	4420000150U002	FR.WHEEL ASSY.R. 22*7-10 (AL)	1
6-3	4403100150U002	TIRE RR.22X7-10	2
6-4	4411000150U002	RIM, FRONT WHEEL (AL)	2
6-5	7190018250G000	TIRE NIPPLE	2
6-6	57830601610005	BOLT M6X16 ,GB5783	12
6-7	8010054250G000	BRAKE DISC,RR	2
6-8	YF047002500700	DUST SEAL 42*25*7	2
6-9	62042RS0000000	BEARING 6204-2RS	2
6-10	62022RS0000000	BEARING 6202-2RS	2
6-11	9710039250G100	TIRE BOLT M10x1.25x39	8
6-12	8010085250GH00	FRONT WHEEL HUB	2
6-13	8010118250G500	TIRE NUT M10x1.25	8
6-14	97001400000005	WASHER φ14 ,GB97	2
6-15	94571400015005	CASTLE NUT M14X1.5, GB9457	2
6-16	GB913003000002	COTTER PIN φ3×30,GB91	2
6-17	7020039250G002	HUB COVER	2

FIG.7 THROTTLE AND BRAKE PEDAL



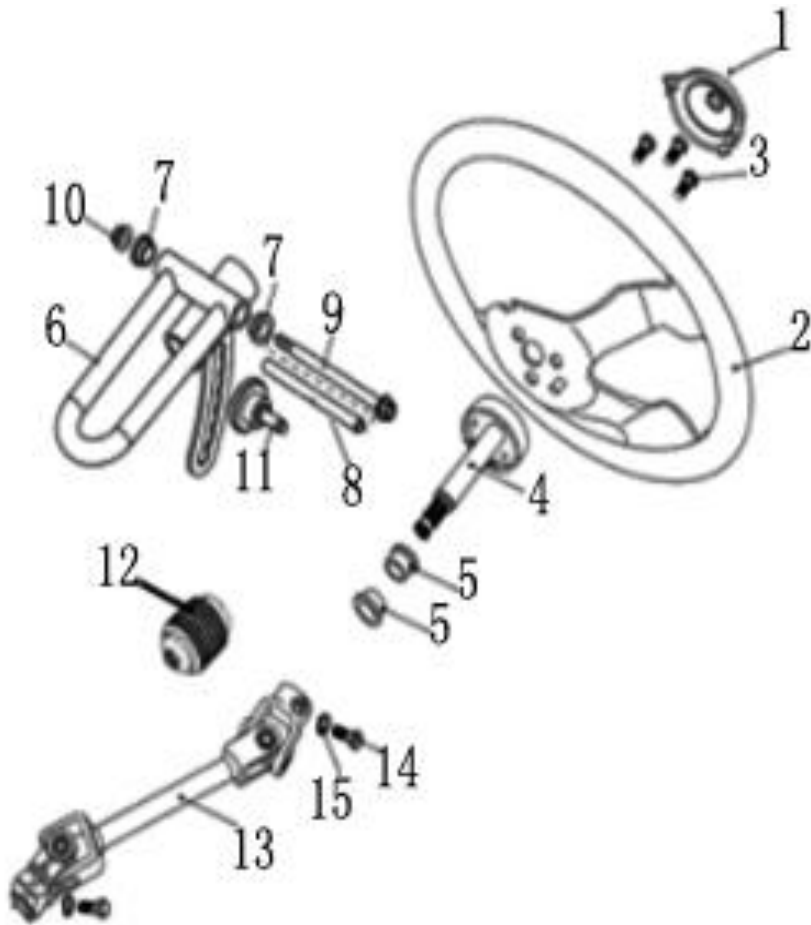
THROTTLE AND BRAKE PEDAL			
REF NO.	PART NO.	DESCRIPTION	QTY
7-1	58270-150U	BRAKE PEDAL COMP	1
7-2	58230-150U	THROTTLE PEDAL COMP	1
7-3	95001400000005	WASHER ϕ 15 ,GB95	2
7-4	9.700.015	CIRCLIP ϕ 15	2
7-5	58276N	BRAKE PEDAL RETURN SPRING	1
7-6	58235-150U	THROTTLE PEDAL RETURN SPRING	1
7-7	60120-150U	THORRLE CABLE COMP	1
7-8	57810804012505	BOLT M8X40 ,GB5781	1
7-9	61700800012505	NUT M5 ,GB6170	1
7-13	58210-150U	BRAKE PEDAL/THROTTLE PEDAL MOUNTING PLATE	1
7-14	57870801612505	BOLT M8X16 ,GB5787	5
7-15	7010022080G000	RUBBER,THROTTLE PEDAL STOP	1

FIG.8 PARKING BRAKE AND SHIFTING BOX



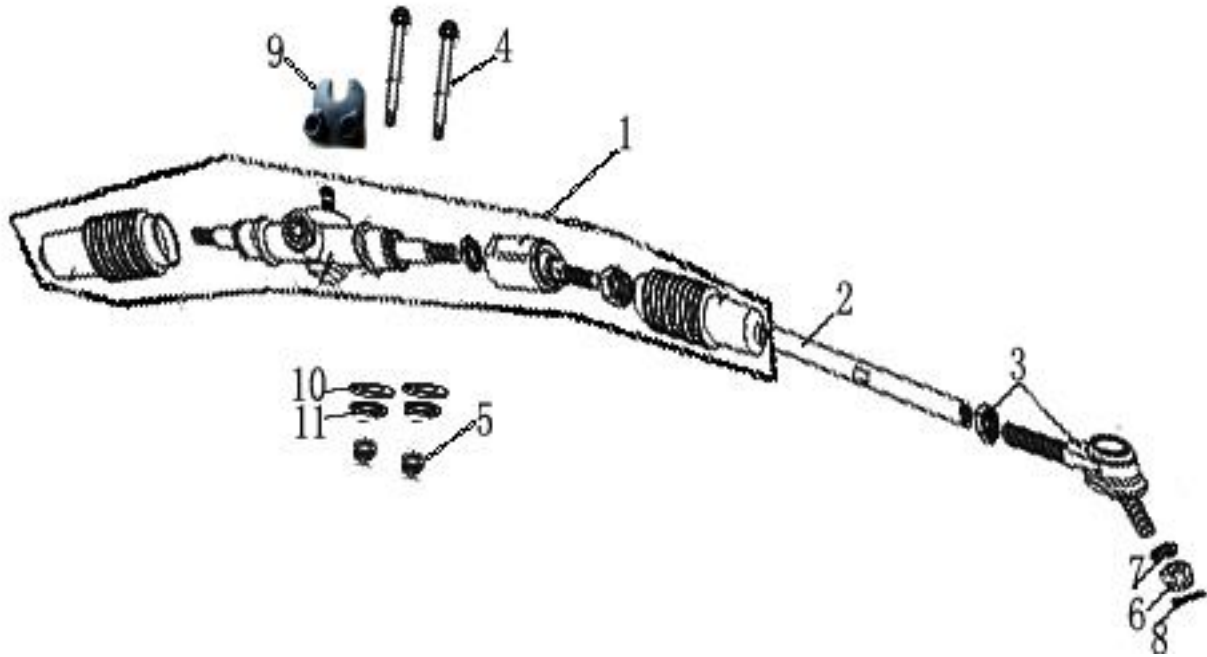
PARKING BRAKE AND SHIFTING BOX			
REF NO.	PART NO.	DESCRIPTION	QTY
8-1	6000042150G000	PARKING BRAKE LEVER ASSY.	1
8-2	57870801612505	BOLT M8X16 ,GB5787	3
8-3	61870800012505	NUT M8 ,GB6187	3
8-4	60010-150U	PARKING BRAKE CABLE COMP.	1
8-5	8040004150G000	PARKING BRAKE CABLE SPRING	1
8-6	40700-150U	SHIFTER HOISE ASSY.	1
8-7	60130-150U	REVERSE CABLE COMP.	2
8-8	4000100300G000	REVERSE CABLE BRACKET	1
8-9	57890601210005	BOLT M6X12 ,GB5789	2
8-10	4000200300G000	SHIFTER DISK	1
8-11	57830602510005	BOLT M6X25 ,GB5783	1

FIG. 9 STEERING SHAFT ASSY.



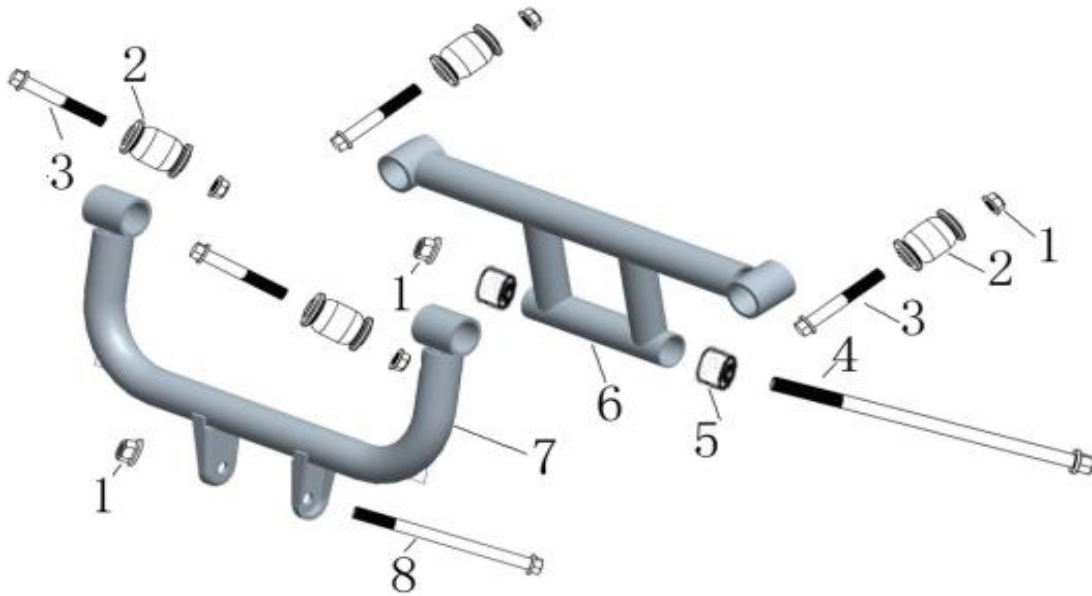
STEERING SHAFT ASSY			
REF NO.	PART NO.	DESCRIPTION	QTY
9-1	7010041250G000	STEERING BOLT COVER	1
9-2	7020038250G000	STEERING WHEEL	1
9-3	57830601210005	BOLT M6X12 ,GB5783	3
9-4	4011000150G000	STEERING SHAFT	1
9-5	7010026150G000	BUSH STEERING SHAFT	2
9-6	4000051150GH00	TILT STEERING HOUSING	1
9-7	7010003250G000	UPPER SUSPENSION ARM BUSH,80	2
9-8	8010015250G000	UPPER SUSPENSION ARM COLLAR,80	1
9-9	57890810512505	BOLT M8X105 ,GB5789	1
9-10	61870800012505	LOCKING NUT M8,GB6187	1
9-11	4000100150G000	STEERING GEAR ADJUSTING BOLT	1
9-12	7020066250G000	DUST COVER BALL JOINT	1
9-13	40200-150U-01	STEERING LINKAGE KNUCKLE	1
9-14	57820803012505	BOLT M8X30 ,GB5782	2
9-15	93000800000005	LOCK WASHER φ8 ,GB93	2

FIG.10 STEERING GEAR ASSY.



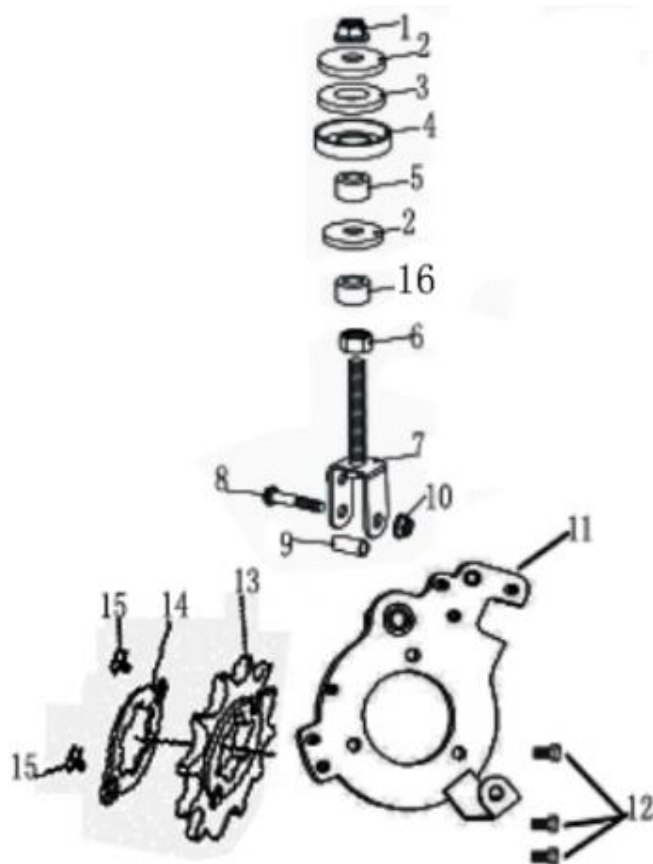
STEERING GEAR ASSY.			
REF NO.	PART NO.	DESCRIPTION	QTY
10-1	4031000150U002	STEERING GEAR ASSY	1
10-2	4030200150U002	TIE ROD (L=275MM)	2
10-3	4030300150U002	ROD END	2
10-4	57890808012505	BOLT M8X80 ,GB5789	2
10-5	61870800012505	LOCKING NUT M8,GB6187	4
10-6	94571000012505	CASTLE NUT M10X1.25, GB9457	2
10-7	93001000000005	LOCK WASHER ϕ 10 ,GB93	2
10-8	GB912502500002	COTTER PIN ϕ 2.5 \times 25,GB91	2
10-9	58020-150U	STEERING GEAR MOUNTING PLATE	2
10-10	96000800000005	WASHER ϕ 8,GB96	2
10-11	93000800000005	LOCK WASHER ϕ 8 ,GB93	2

FIG.11 ENGINE MOUNTING BRACKET ASSY.



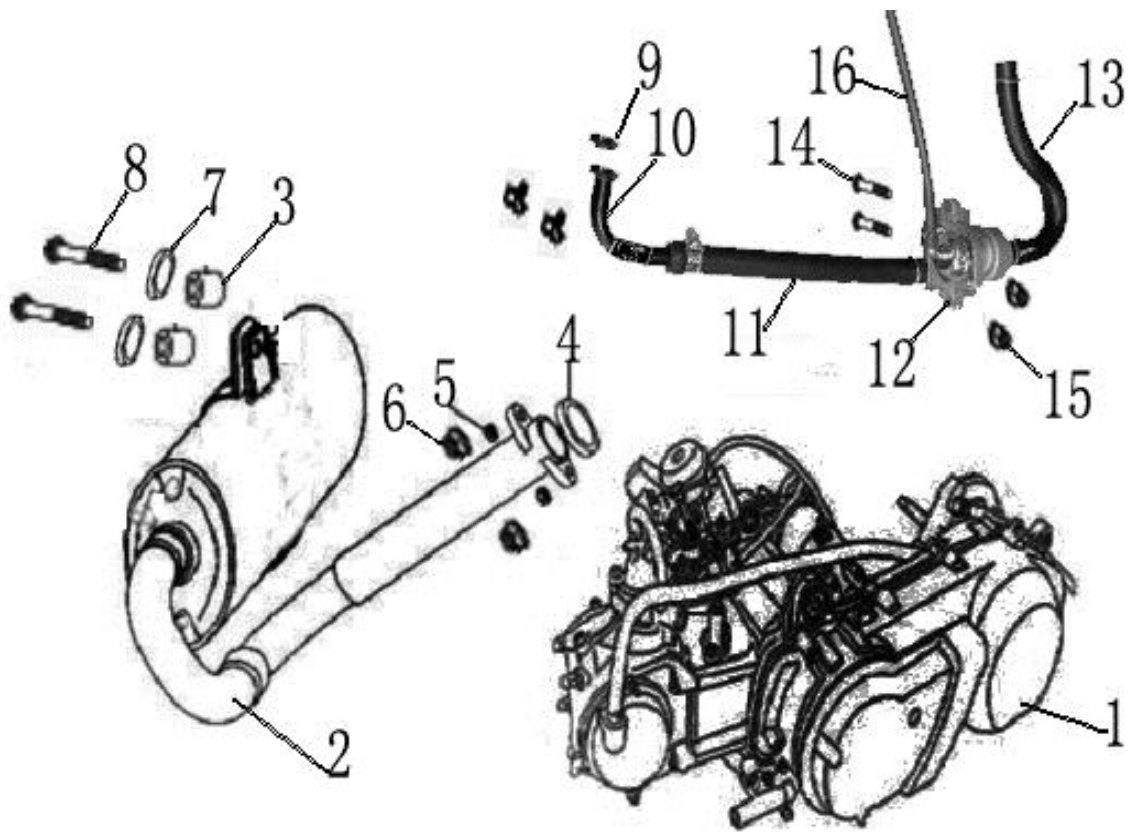
ENGINE MOUNTING BRACKET ASSY.			
REF NO.	PART NO.	DESCRIPTION	QTY
11-1	61871000012505	LOCKING NUT M10X1.25, GB6187	6
11-2	58720N	SUSPENSION ARM CUSHION BUSH	4
11-3	57891007012505	BOLT M10X1.25X70 ,GB5789	4
11-4	57871022312505	BOLT M10X1.25X223 ,GB5787	1
11-5	7020077080G000	CUSHION BUSHING Φ 10* Φ 30*30/35	2
11-6	10130-300UB	FRONT UPPER ENGINE MOUNTING BRACKET	1
11-7	10140-300UB	REAR UPPER ENGINE MOUNTING BRACKET	1
11-8	57891010512505	BOLT M10X1.25X105 ,GB5789	1

FIG.12 ENGINE MOUNT ASSY.



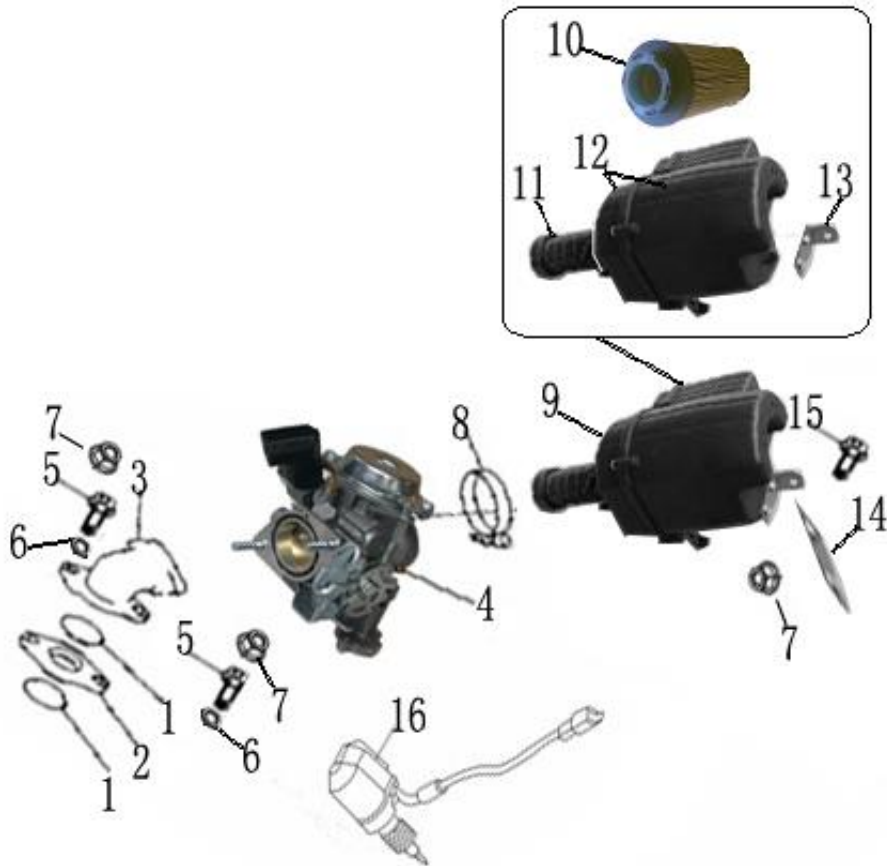
ENGINE MOUNT ASSY.			
REF NO.	PART NO.	DESCRIPTION	QTY
12-1	61871200012505	LOCKING NUT M12X1.25,GB6187	1
12-2	8010042250G100	ENGINE MOUNT LINK WASHER	2
12-3	7020001080G000	ENGINE MOUNT LINK CUSHION	1
12-4	8020045080G100	ENGINE MOUNT LINK SPACER	1
12-5	8010041300G000	ENGINE MOUNT LINK COLLAR	1
12-6	61701200012505	NUT M12X1.25 ,GB6170	1
12-7	6000026150GH00	ENGINE MOUNT BOLT PLATE	1
12-8	57851004512505	BOLT M10X1.25X45 ,GB5785	1
12-9	8010076150G101	ENGINE MOUNT BOLT PLATE COLLAR	1
12-10	61871000012505	LOCKING NUT M10*1.25,GB6187	1
12-11	1010000300G00B	ENGINE MOUNT PLATE	1
12-12	57830801612505	BOLT M8X16 ,GB5783	3
12-13	157-3.10.881	OUTPUT SPROCKET (530 14T)	1
12-14	157-3.11.126	SPROCKET LOCATING PLATE	1
12-15	GB/T16674-M6X12	BOLT M6x12, GB/T16674	2
12-16	58612-150U	ENGINE MOUNT LINK COLLAR2 (16*1.5-25)	1

FIG. 13 ENGINE, MUFFLER, SECONDARY AIR INTAKE



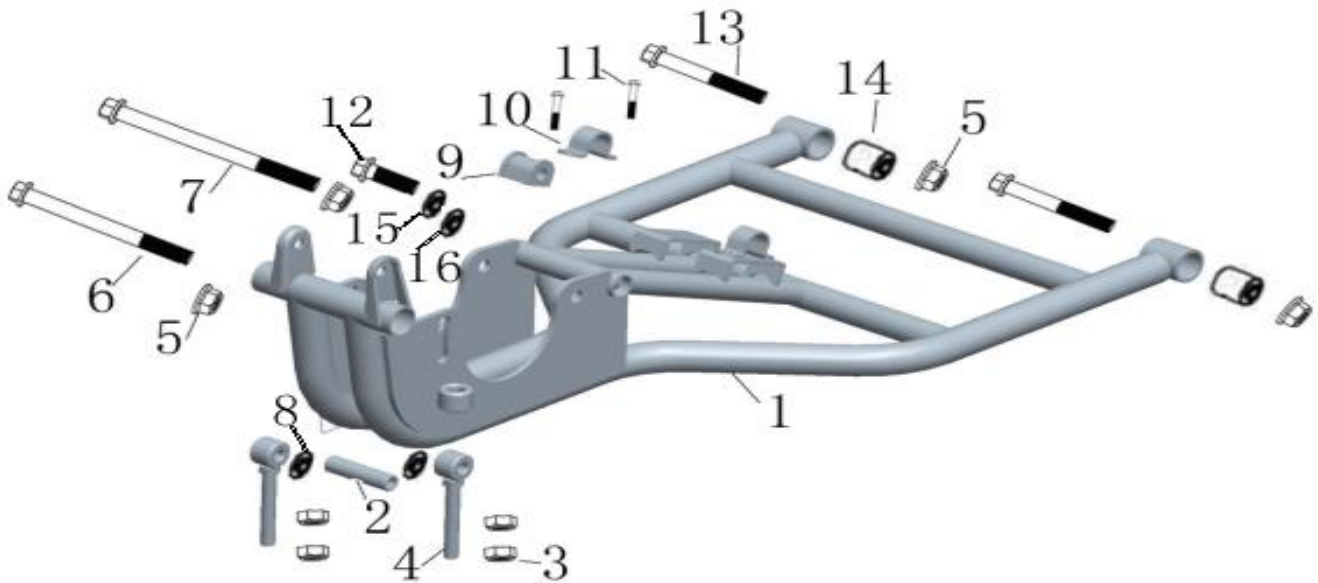
ENGINE, MUFFLER, SECONDARY AIR INTAKE			
REF NO.	PART NO.	DESCRIPTION	QTY
13-1	10000-300G	ENGINE ASSY	1
13-2	47100-300U	MUFFLER COM.PEX.STAINLESS STEEL	1
13-3	47209-300U	MUFFLER RUBBER	2
13-4	70900500025000	EX.PIPE GASKET	1
13-5	93000800000005	LOCK WASHER $\phi 8$, GB93	2
13-6	61870800012505	LOCKING NUT M8, GB6187	2
13-7	96000800000005	WASHER $\phi 8$, GB96	2
13-8	57870803012505	BOLT M8X30, GB5787	2
13-9	4700300300K000	PIPE, SECONDARY AIR INTAKE	1
13-10	4790000300G000	PIPE GASKET, SECONDARY AIR INTAKE	1
13-11	4701500300G000	PIPE, BREATHING MANIFOLDS	1
13-12	47005-300U	SECOND AIR INTAKE, CHECK VALVE	1
13-13	4902100300G000	SECOND AIR INTAKE, PIPE	1
13-14	57890602010005	BOLT M6X20, GB5789	2
13-15	61870600010005	LOCKING NUT M6, GB6187	2
13-16	80306-300U	OIL PIPE, $\phi 3.5 * \phi 6.5-150$	1

FIG. 14 CARBURETOR AND AIR FILTER



CARBURETOR AND AIR FILTER			
REF NO.	PART NO.	DESCRIPTION	QTY
14-1	169.12.212	O-RING 35x2	2
14-2	169.08.301	INSULATING MAT	1
14-3	13110QN01030	JOINT CARBURETOR 1	1
14-4	Y28V1L0300G000	CARBURETTOR ASSY	1
14-5	57890602510005	BOLT M6X25 ,GB5789	2
14-6	930006000000005	LOCK WASHER φ6 ,GB93	2
14-7	61870600010005	LOCKING NUT M6,GB6187	3
14-8	4900500300K000	HOSE CLAMP, 38-51	1
14-9	49000-300G	AIR CLEANER ASSY	1
14-10	6000151150G000	FILTER ELEMENT	1
14-11	4910100300G000	AIR CLEANER JOINT	1
14-12	7010048150G000	AIR CLEANER CASE	1
14-13	4900400150G000	AIR CLEANER MOUNT PLATE,RR	1
14-15	57890601610005	BOLT M6X16 ,GB5789	1
14-16	1101000300K000	ELECTRIC CHOKE	1

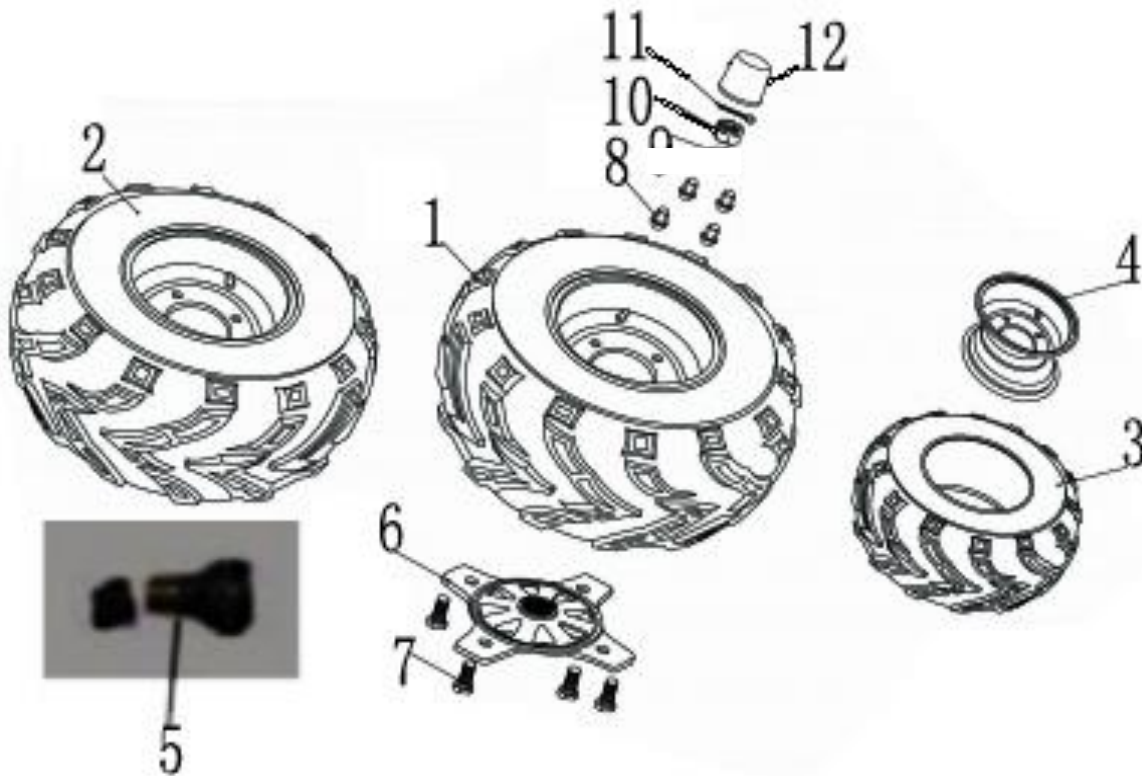
FIG. 15 DRIVE SHAFT MOUNTING ASSY.



DRIVE SHAFT MOUNTING ASSY.

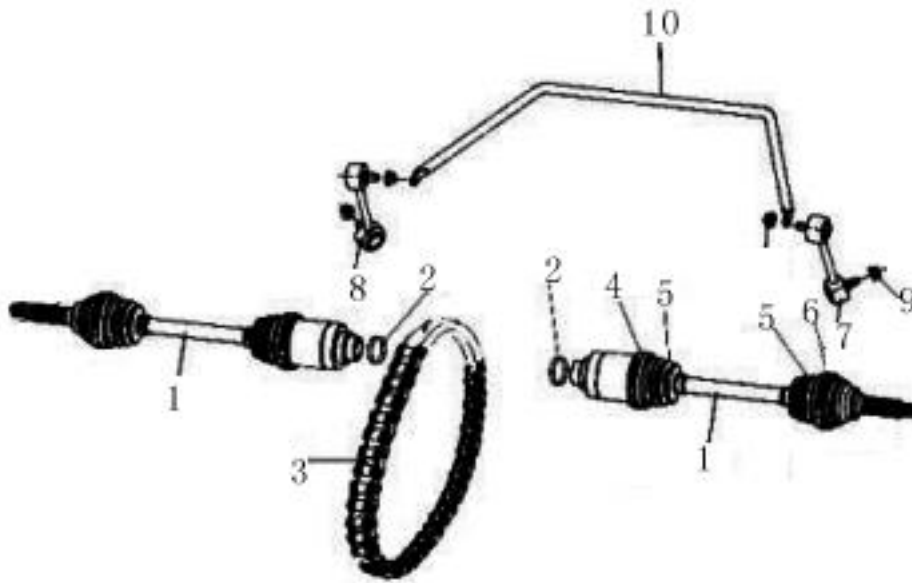
REF NO.	PART NO.	DESCRIPTION	QTY
15-1	10120-300UA	DRIVE SHAFT MOUNTING BRACKET	1
15-2	10101-300UB	DRIVE SHAFT FIXED COLLAR	1
15-3	61701200012505	NUT M10*1.25, GB6170	4
15-4	8.147.008	ENGINE MOUNT BOLT PLATE	2
15-5	61871000012505	LOCKING NUT M10*1.25, GB6187	4
15-6	57891010512505	BOLT M10*1.25*105 ,GB5789	1
15-7	57891016012505	BOLT M10*1.25*160 ,GB5789	1
15-8	96001000000005	WASHER ϕ 10 ,GB96	1
15-9	2.100.001	SWAY BAR BRACE BUSHING	2
15-10	8.020.048	SWAY BAR BRACE	2
15-11	57890601610005	BOLT M6X16 ,GB5789	2
15-12	57891202712505	BOLT M12*1.25*27 ,GB5789	2
15-13	57891005512505	BOLT M10*1.25*55 ,GB5789	2
15-14	7020077080G000	CUSHION BUSHING Φ 10* Φ 30*30/35	2
15-15	93001200000005	LOCK WASHER ϕ 12 ,GB93	2
15-16	97001200000005	WASHER ϕ 12 ,GB97	2

FIG. 16 REAR WHEEL AND HUB



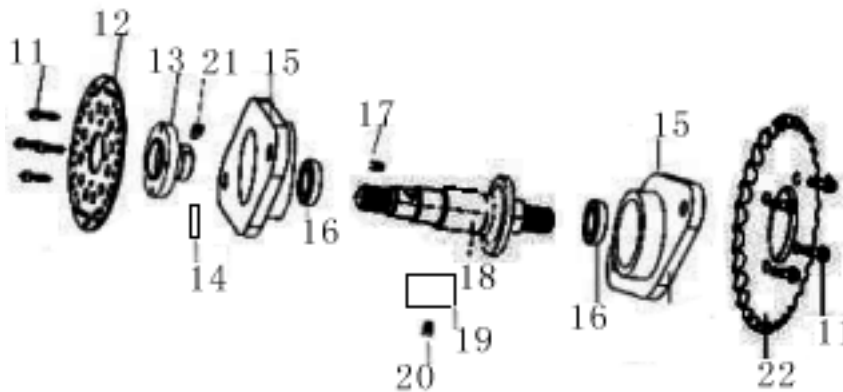
REAR WHEEL AND HUB			
REF NO.	PART NO.	DESCRIPTION	QTY
16-1	5410000150U003	300 UTV REAR WHEEL RIGHT (136)	1
16-2	5420000150U003	300 UTV REAR WHEEL LEFT (136)	1
16-3	7020052250G000	300 UTV REAR TIRE	2
16-4	5411000150U003	300 UTV REAR RIM (136)	2
16-5	7190018250G000	AIR NIPPLE	2
16-6	8010169250G700	300 UTV REAR HUB (136)	2
16-7	9710039250G100	TIRE BOLT M10x1.25x39	8
16-8	8010118250G500	TIRE NUT M10x1.25	8
16-10	9800018250G000	CASTLE NUT M18X1.5	2
16-11	GB914004000002	COTTER PIN $\phi 4 \times 40$, GB91	2
16-12	7020039250G002	HUB COVER	2

FIG. 17-1 CV JOINT ASSY.



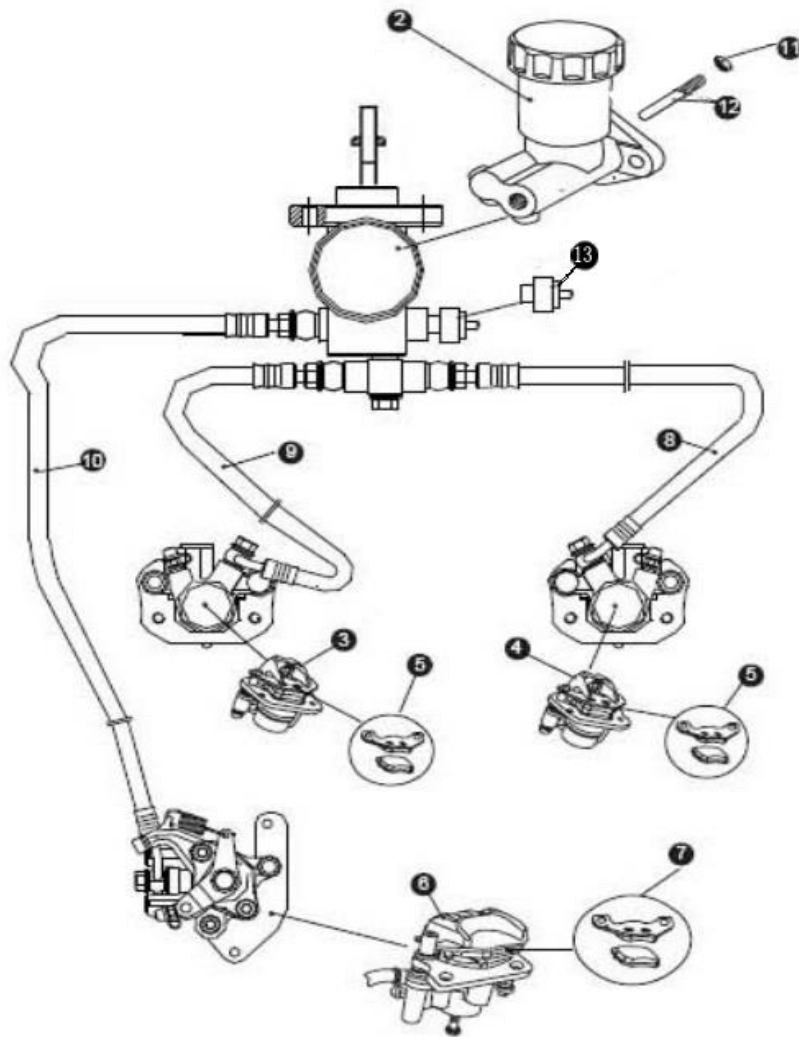
REAR AXLE COMP.			
REF NO.	PART NO.	DESCRIPTION	QTY
17-1	6.000.244	CV/SHAFT JOINT	2
17-2	7.190.019	CIRCLIP $\phi 1.6 \times \phi 21.5$	2
17-3	9170002300U002	DRIVE CHAIN (58-530H)	1
17-4	7.190.014	RUBBER BUSH CIRCLIP 1	2
17-5	7.190.015	RUBBER BUSH(CV/SHAFT JOINT)	4
17-6	7.190.017	RUBBER BUSH CIRCLIP 2	2
17-7	6.000.242-R	BALANCE LEBER LINK ROD R.	1
17-8	6.000.242-L	BALANCE LEBER LINK ROD L.	1
17-9	61871000012505	LOCK NUT M12X1.25 ,GB6187	4
17-10	6.000.243-300U	BALANCE LEVER	1

FIG. 17-2 DRIVE SHAFT COMP.



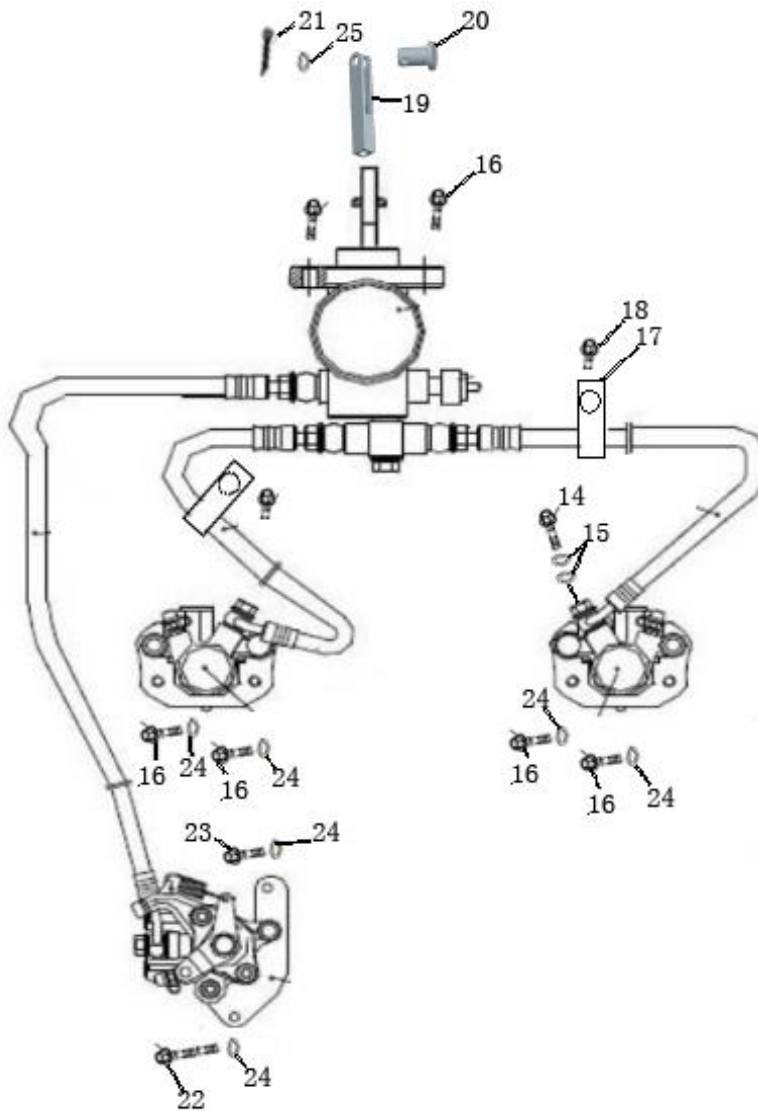
REAR AXLE COMP.			
REF NO.	PART NO.	DESCRIPTION	QTY
17-11	70000802012505	BOLT M8X20 ,GB70	8
17-12	8010053250G000	RR. BRAKE DISC	1
17-13	8.030.036	RR. BRAKE PAD SET	1
17-14	10125-300G	10125 AXLE COLLAR	1
17-15	8.130.033	HOUSING COMP RR AXLE BRG	2
17-16	62072RS0000000	BEARING 6207-2RS	2
17-17	KEY 8X7X20	FLAT KEY 8*7*20	1
17-18	SJX-10120-300G	AXLE	1
17-19	10124-300G	10124 AXLE COLLAR	1
17-20	57890601210005	BOLT M6X12 ,GB5789	1
17-21	916010010615002	BOLT M10X1.5X16 ,DIN916	1
17-22	8010077250G000	REAR SPROCKET (39T-530)	1

FIG. 18 BRAKE SYSTEM - 1



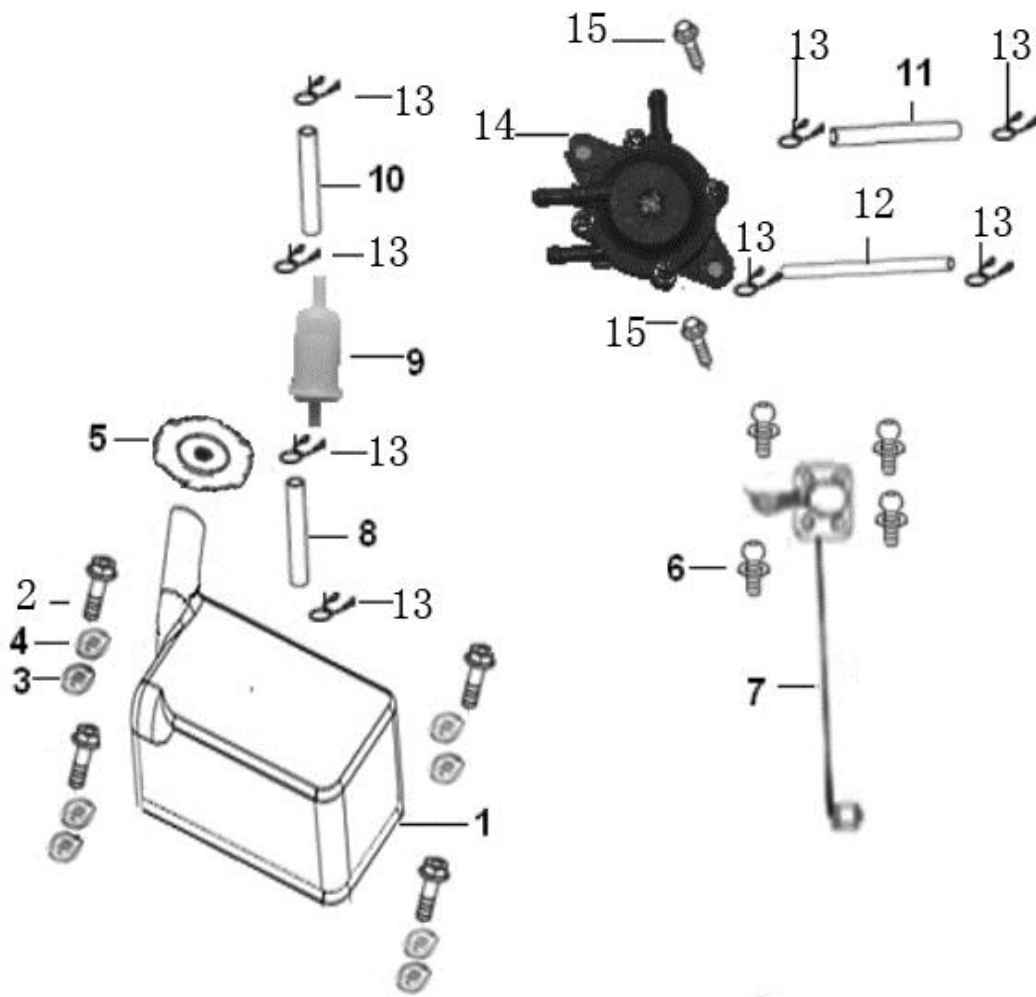
BRAKE SYSTEM			
REF NO.	PART NO.	DESCRIPTION	QTY
18-1	45000-150U	BRAKE ASSY.	1
18-2	45110N	BRAKE MASTER CYLINDER	1
18-3	6000095250G000	FRONT BRAKE CALIPER R.	1
18-4	6000028250G000	FRONT BRAKE CALIPER L.	1
18-5	7020016250G000	FRONT BRAKE CALIPER PAD SET	2
18-6	6000229150G000	BRAKE CALIPER ASSY.RR	1
18-7	7020022150G000	REAR BRAKE CALIPER PAD SET	1
18-8	6.000.089-150U	HOSE ASSY.L.BRAKE	1
18-9	6.000.090-150U	HOSE ASSY.R.BRAKE	1
18-10	6.000.090-150U	HOSE ASSY.RR.BRAKE	1
18-11	8.010.081-150U	BRAKE SPINDLE PIN	1
18-12	61700800012505	NUT M8 ,GB6170	1
18-13	6.000.063-150U	BRAKE LAMP SWITCH	1

FIG. 18 BRAKE SYSTEM - 2



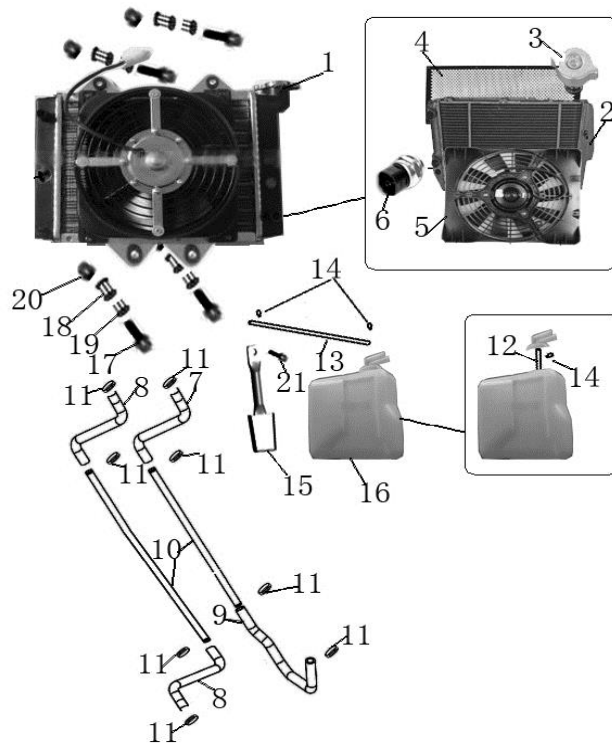
BRAKE SYSTEM			
REF NO.	PART NO.	DESCRIPTION	QTY
18-14	F020206-10024	BANJO BOLT M10×24	5
18-15	9.300.010	HOSE WASHER φ10,BRAKE	12
18-16	57870802512505	BOLT M8X25 ,GB5787	6
18-17	4517100300K000	HOSE CLIP	2
18-18	57890601610005	BOLT M6X16 ,GB5789	2
18-19	4402100400N000	SPINDLE BRACKET	1
18-20	9.700.720	PIN φ7×20	1
18-21	GB912502500002	COTTER PIN φ2.5×25,GB91	1
18-22	57890810012505	BOLT M8X100 ,GB5789	1
18-23	57870801612505	BOLT M8X16 ,GB5787	1
18-24	93000800000005	LOCK WASHER φ8 ,GB93	6
18-25	97000800000005	WASHER φ8,GB97	1

FIG. 19 GAS TANK COMP.



GAS TANK COMP.			
REF NO.	PART NO.	DESCRIPTION	QTY
19-1	50010-150U	FUEL TANK	1
19-2	57870801612505	BOLT M8X16 ,GB5787	3
19-3	50001-150U	FUEL TANK RUBBER	3
19-4	96000800000005	WASHER φ8,GB96	3
19-5	6000145080G000	FUEL TANK CAP	1
19-6	90746601610005	BOLT M6X16 ,GB9074.6	4
19-7	50030-150U	GAUGE,OIL LEVEL	1
19-8	80301-150U	OIL PIPE φ4.5*φ8.5*250	1
19-9	6000056250G000	PETROL FILTER	1
19-10	80302-150U	OIL PIPE φ4.5*φ8.5*80	1
19-11	80303-150U	OIL PIPE φ4.5*φ8.5*900	1
19-12	80303-150U	OIL PIPE φ4.5*φ8.5*900	1
19-13	621A0700000000	TUBE CIRCLIP φ7	8
19-14	50300-150U	OIL PUMP	1
19-15	57890601610005	BOLT M6X16 ,GB5789	2

FIG. 20 COOLING SYSTEM



COOLING SYSTEM			
REF NO.	PART NO.	DESCRIPTION	QTY
20-1	14210-300U	RADIATOR ASSY.	1
20-2	14211-300U	RADIATOR	1
20-3	14212-300U	WATER FILLER	1
20-4	14213-300U	RADIATOR COVER	1
20-5	14214-300U	FAN ASSY	1
20-6	14215-300U	HEAT SENSITIVE SWICH (75°C)	1
20-7	14002-300U	RADIATOR INLET HOSE	1
20-8	14001-300U	RADIATOR OUTLET HOSE	2
20-9	14003-300U	ENGINE INLET HOSE	1
20-10	14004-300U	WATER PIPE (IRON)	2
20-11	7.090.044	TUBE CLAMP φ16-25	8
20-12	14221-300U	WATER HOSE φ6*φ10*320	1
20-13	14222-300U	WATER HOSE φ6*φ10*160	1
20-14	621A0900000000	TUBE CIRCLIP φ9	3
20-15	FR-S059-01-00	COOLING POT HOLDER	1
20-16	14220-300U	COOLING POT	1
20-17	57890603010005	BOLT M6X30 ,GB5789	4
20-18	7020005250G000	250 FUEL TANK RUBBER MOUNT	4
20-19	5800400300K000	FUEL TANK COLLAR	4
20-20	61870800012505	NUT M8 ,GB6187	4
20-21	57890601610005	BOLT M6X16 ,GB5789	1

FIG. 21 ELECTRICAL COMP. - 1



ELECTRICAL COMP.			
REF NO.	PART NO.	DESCRIPTION	QTY
21-1	8002501-300U	MAIN ELECTRICAL WIRING	1
21-2	8002502-300U	VICE ELECTRICAL WIRING	1
21-3	8002501-300U	BATTERY CABLE	1
21-4	6000250250G000	VOLTAGE REGULATOR	1
21-5	169.07.200	CDI	1
21-6	169.07.310	IGNITION COIL	1
21-7	6000035250G000	STARTING RELAY	1
21-8	80028N	SUPPLEMENTARY RELAY	1
21-9	6000038250G000	RESISTANCE	1
21-10	19-0900307	COMBINATION SWITCH 1	1
21-11	19-0900308	COMBINATION SWITCH 2	1
21-12	6000153250G000	FLASHER	1
21-13	6000087250G000	CIGAR LIGHTE	1
21-14	7020051250G000	CIGAR LIGHTE COVER	1
21-15	6000158250G000	IGNITION SWITCH	1
21-16	6000159300U000	ENGINE STOP SWITCH	1
21-17	57890601210005	BOLT M6X12 ,GB5789	1
21-18	57890602510005	BOLT M6X25 ,GB5789	4
21-19	81800502010005	BOLT M5X20 ,GB818	2
21-20	93000500000005	LOCK WASHER φ5 ,GB93	2
21-21	97000500000005	WASHER φ5,GB97	2
21-22	61870600010005	NUT M6 ,GB6187	4

FIG. 21 ELECTRICAL COMP. - 2



ELECTRICAL COMP.

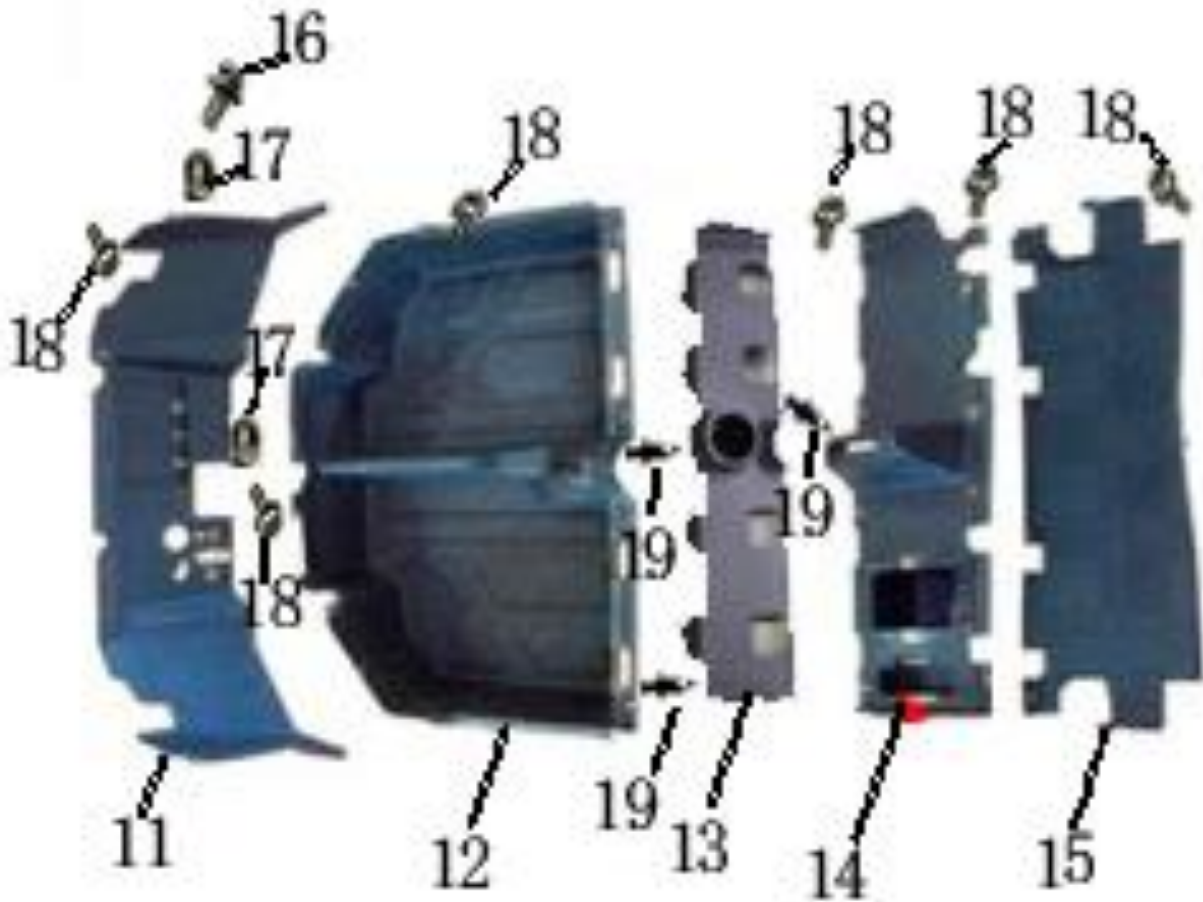
REF NO.	PART NO.	DESCRIPTION	QTY
21-23	19-0900302	HEAD LIGHT	2
21-24	19-0900309	TURN LIGHT	2
21-25	19-0900305	TAIL LIGHT ,L	1
21-26	19-0900306	TAIL LIGHT ,R	1
21-27	19-0900310	TURN LIGHT BRACKET	2
21-28	58014-150U	TURN LIGHT MOUNTING PLATE 1	2
21-29	58013-150U	TURN LIGHT MOUNTING PLATE 2	2
21-30	28234201600005	BOLT ST4.2*16 ,GB2823	16
21-31	28234201300005	BOLT ST4.2*13 ,GB2823	8
21-32	61770600010005	NUT M6,GB6177	10
21-33	6000382250G000	BATTERY	1
21-34	7010028250G000	BATTERY COVER	1
21-35	7020023250G000	BATTERY BAND	1
21-36	8002200300U000	SPEEDOMETER ASSY	1
21-37	8002900150U000	SPEED TRANSDUCER	1
21-38	8003000150U000	SPEED TRANSDUCER CABLE	1
21-39	61700500010005	NUT M5 ,GB6170	2
21-40	8300200300K000	MAGNETIC CYLINDER	1
21-41	6000135250G000	HORN, H	1

FIG. 22 PLASTIC BODY PARTS-1



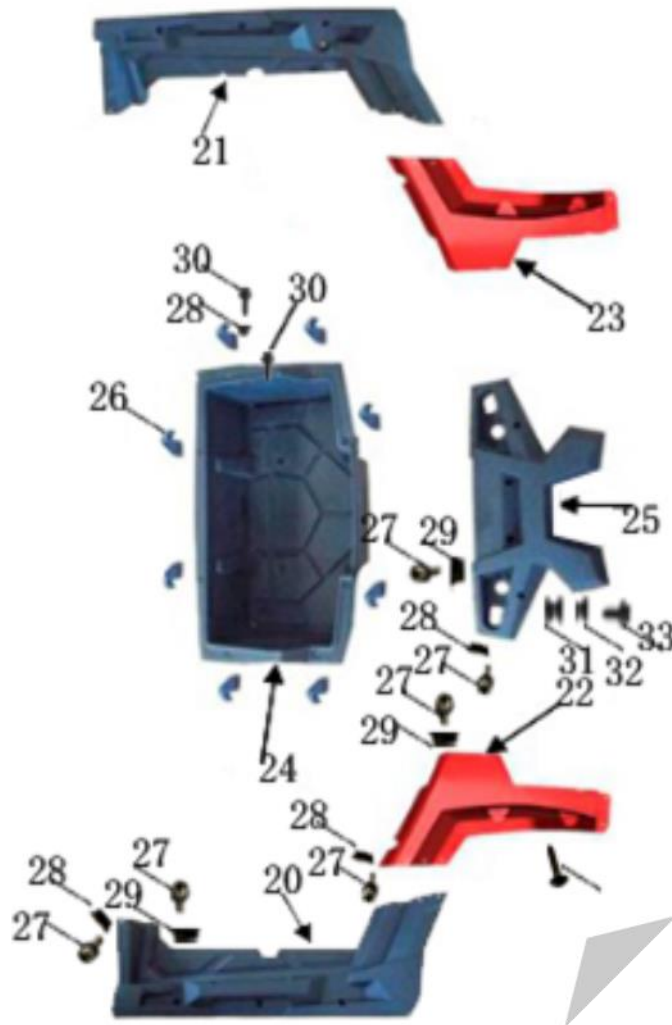
PLASTIC BODY PARTS			
REF NO.	PART NO.	DESCRIPTION	QTY
22-1	19-1000101	FRONT FENDER	1
22-2	19-1000104	AIR WINDOW	1
22-3	19-1000105-300	300 UTV HOOD	1
22-4	19-1000103	INSTRUMENT SEAT	1
22-5	57890601210005	BOLT M6X12 ,GB5789	2
22-6	57890601610005	BOLT M6X16 ,GB5789	2
22-7	90746601610005	BOLT M6X16 ,GB9074.6	10
22-8	61770600010005	NUT M6, GB6177	6
22-9	Q3120600010000	NUT M6, Q312	4
22-10	28234201300005	BOLT ST4.2*13 ,GB2823	3

FIG. 22 PLASTIC BODY PARTS-2



PLASTIC BODY PARTS			
REF NO.	PART NO.	DESCRIPTION	QTY
22-11	19-1000106	FRONT FENDER (FOOTREST)	1
22-12	19-1000109	FOOTREST	1
22-13	19-1000151	EXTENDED CONNECTION PLATE	1
22-14	19-1000110	SEAT BASEBOARD	1
22-15	19-1000113	BACK GUARD BOARD	1
22-16	90746601610005	BOLT M6X16 ,GB9074.6	4
22-17	61770600010005	NUT M6, GB6177	10
22-18	57890601610005	BOLT M6X16 ,GB5789	35
22-19	19-1000121	SNAP	6

FIG. 22 PLASTIC BODY PARTS-3



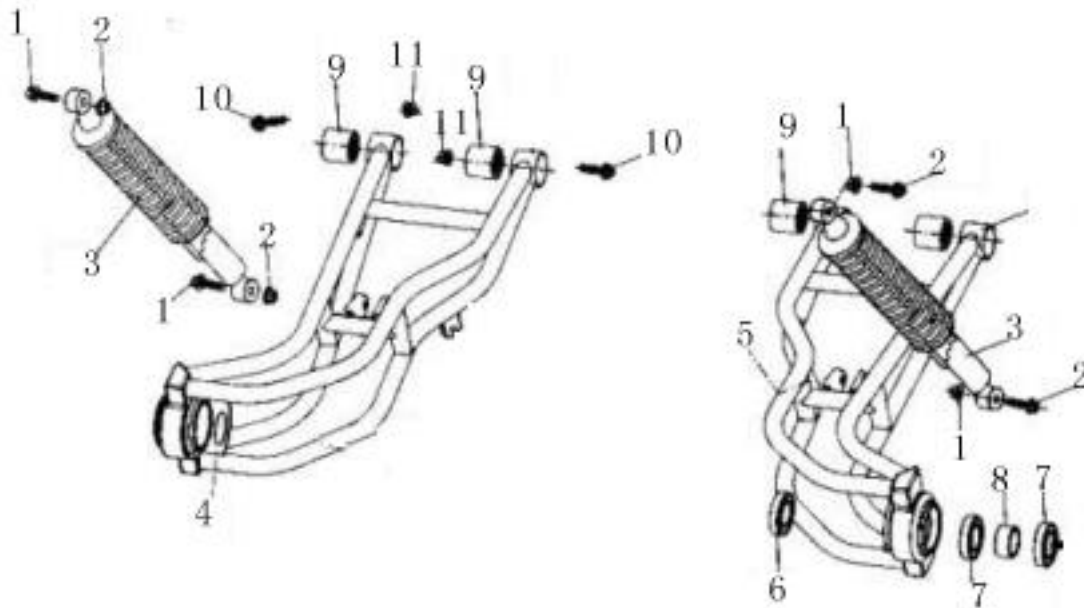
PLASTIC BODY PARTS			
REF NO.	PART NO.	DESCRIPTION	QTY
22-20	19-1000107	LEFT SIDE PLATE	1
22-21	19-1000108	RIGHT-SIDE PLATE	1
22-22	19-1000111	LEFT SIDE PLATE (CAR HOPPER)	1
22-23	19-1000112	RIGHT-SIDE PLATE (CAR HOPPER)	1
22-24	19-1000116	CAR HOPPER	1
22-25	19-1000117	REAR FENDER (CAR HOPPER)	1
22-26	19-1000115	HOOK (CAR HOPPER)	8
22-27	90746601610005	BOLT M6X16 ,GB9074.6	30
22-28	61770600010005	NUT M6, GB6177	24
22-29	Q3120600010000	NUT M6, Q312	10
22-30	57890601610005	BOLT M6X16 ,GB5789	14
22-31	7020005250G000	250 FUEL TANK RUBBER MOUNT	4
22-32	5800400300K000	FUEL TANK COLLAR	4
22-33	57890603510005	BOLT M6X35 ,GB5789	4

FIG. 23 STICKERS



PLASTIC BODY PARTS			
REF NO.	PART NO.	DESCRIPTION	QTY
23-1	90720-300U	WARNING DECALS	1
23-2	907100-150U	TRADEMARK DECALS	1
23-3	90730-300X	TYPE OF DECAL	4
23-4	90901-300X	EPA HANG TAG	1
23-5	90902-300U	EPA ANTI-COUNTERFEITING LABELING	1
23-6	90771-300U	OWNER'S MANUAL	1
23-7	7110003-300U	SPARK PLUG SOCKET	1

FIG. 24 REAR SHOCK & REAR SUSPENSION



PLASTIC BODY PARTS			
REF NO.	PART NO.	DESCRIPTION	QTY
24-1	57891004012505	BOLT M10X1.25X40 ,GB5789	4
24-2	61871000012505	LOCKING NUT M10X1.25, GB6187	4
24-3	63100-300UB	CUSHION ASSY. RR	2
24-4	54210-300UB	REAR SUSPENSION ARM ASSY.L	1
24-5	54220-300UB	REAR SUSPENSION ARM ASSY.R	1
24-6	9.040.011	DUST SEAL 62X44X10	2
24-7	60072RS0000000	BEARING 6007-2RS	4
24-8	8.010.170	COLLAR $\phi 45 \times \phi 35 \times 22.5$	2
24-9	7020008250G000	CUSHION BUSHING $\phi 12 \times \phi 30 \times 30/35$	4
24-10	57871206012505	BOLT M12X1.25X60 ,GB5787	4
24-11	61871200012505	LOCKING NUT M12X1.25, GB6187	4